

4

3

2

1

THIS DRAWING IS UNPUBLISHED.

RELEASED FOR PUBLICATION

,19

© COPYRIGHT 19

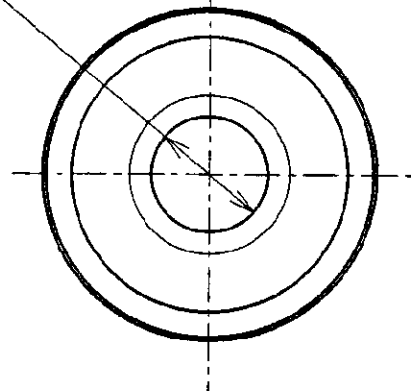
BY AMP INCORPORATED. ALL RIGHTS RESERVED.

LOC DIST

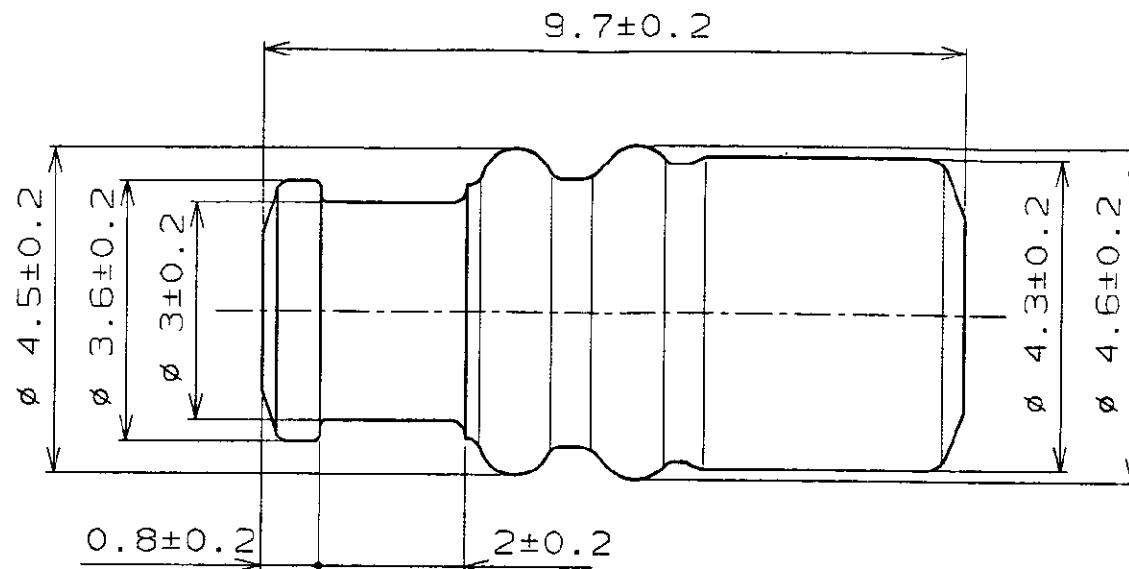
REVISIONS

P	LTR	DESCRIPTION	ECN	DATE	DWN	APVD
0		作成 DRAWN	FJ00-4706-96	6/3 '96	JH	82

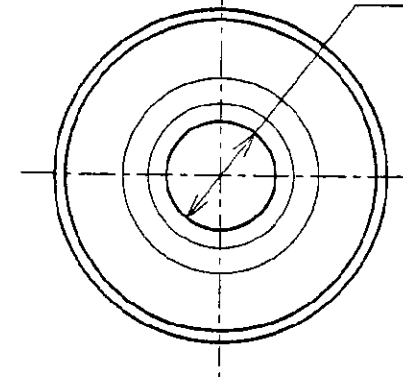
∅ 1.6±0.2



9.7±0.2



∅ 1.5±0.2



SIR	DARK PURPLE (濃紫)	1-900325-9
材料(MATERIAL)	色(COLOR)	型番(P/N)

WIRE RANGE 適合電線断面積 0.5~0.85mm ²	INSULATION DIA 被覆外径 ∅2.0~∅2.3
--	-------------------------------------

DIMENSIONS: 單位: 毫米 mm		TOLERANCES UNLESS OTHERWISE SPECIFIED 公差: 一般公差 ±0.2 30mm ±0.25 100mm ±0.3 ANGLE: ±2°		DWN J. Hayashi 6/3 '96	CHK J	APVD S. Ozaki A/3 '96	NAME 名称 AMP 株式会社 川崎 Kawasaki, Japan
MATERIAL 材料 SIR	FINISH 仕上	PRODUCT SPEC 製品規格 108-5355	APPLICATION SPEC 取付適用規格 114-5230	WEIGHT 0.11g	SIZE A3	CAGE CODE 00779	DRAWING NO 番号 C-900325
CUSTOMER DRAWING						SCALE 尺 10-1	SHEET 1 OF 1 REV 0

AMP		.070 RUBBER PLUG (M)	
SIZE A3	CAGE CODE 00779	DRAWING NO 番号 C-900325	SCALE 尺 10-1
SHEET 1 OF 1		REV 0	